

15" Fanless Full IP65/NEMA4 Panel PC (Intel® ATOM N270 Platform)

Stainless Chassis

VM150PPC-IA3S-FIP

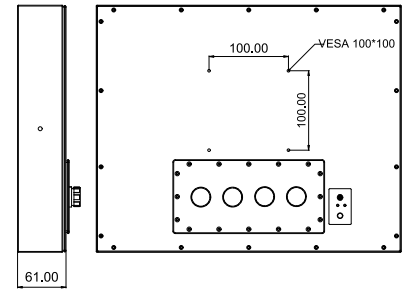
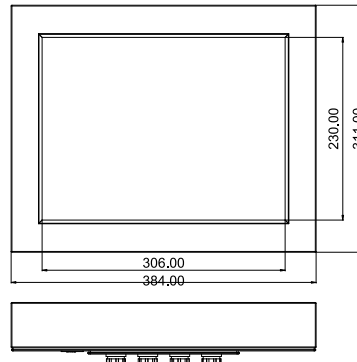
Mechanical Design



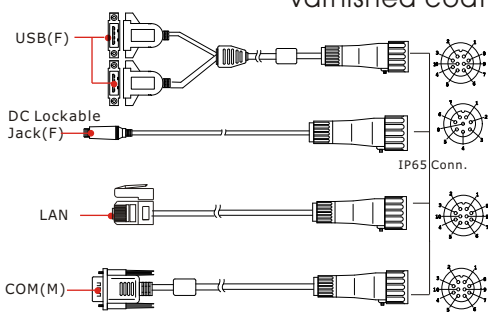
Standard:
brushed stainless



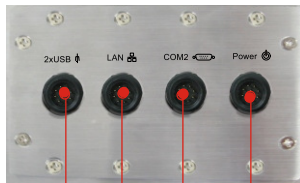
Optional:
black, high polish,
varnished coating



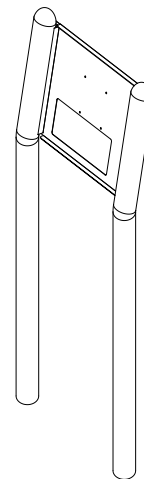
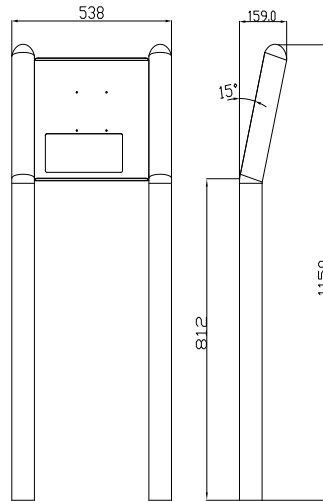
Mounting Stand
(optional)



IP65 connector / cable



2 x USB LAN COM2 Power



* Note: this is a simplified drawing and some components are not marked in detail. Please contact our sales representative if you need further product information.

System Specifications

TFT Characteristics :

- Resolutions : 1024 x 768
- Brightness : 250 cd/m² (typ.)
- Contrast Ratio : 700 : 1 (typ.)
- Viewing Angles : -70~70(H); -65~60(V)
- Max Colors : 16.2M

SBC Specifications :

- Processor : Intel Atom N270 1.6 GHz
- BIOS : AMI 4Mbit Flash
- System Chipset : Intel® 945GSE / ICH7M
- Memory Slot : 1 x SO-DIMM, Max 2GB DDR2 400/533
- Graphic Chipset : Intel® 945GSE Integrated (224MB shared)
- IDE : 1 x 44pin IDE (UDMA 33/66/100)
- KB/Mouse : 1 x PS/2
- Ethernet : 1 x RJ45(Gigabit LAN)
- Audio : Built in AC97 codec
- USB : 6 x USB2.0 (4 x USB internal)
- Serial : 2 x RS232 (1 x RS232 internal)
- Expansion Slot : 1 x Mini PCI (internal)
- SSD Interface : 1 x Type I/II CF socket (Internal)
- Power Input : DC-IN (Lockable, Power Jack)
- Certification : CE, FCC, RoHS

* A customized housing is needed if you would like to have the PCI expansion.

Power Specifications :

- Power Input : 12V DC IN (Lockable Power Jack)
- Power Consumption : 20W (typ.)(Max.backlight & high CPU load)

Accessories :

- External Power Supply 90W w/power cord

Environment Considerations :

- Operating Temperature : 0 deg.C to 45deg.C
- Operating Humidity : 30% to 90% (non condensing)

Input/ Output Connectors :

- Ethernet LAN : 1 X RJ45-10/100 Mbps
- COM : 1 X RS232
- USB : 2 x USB Type-A Receptacle
- Power : 1 X 12VDC

Order Options :

SBC	PANEL PC
RAM : 512 MB DDR(Optional) 1 GB DDR(Optional)	Mechanical : Stainless Chassis
Storage : 2.5"80 GB HDD* 1 GB Compact Flash(Optional)	Touch : 5 Wires Resistive(Optional)
	OS : Windows XPE(Optional) Windows XP(Optional) Linux(Optional)

* Default

Mounting Stand

Rev.	Reasons	Revised Date
1.0	New add	Mar-05-09
1.1	Add Drawing	Mar-18-09

