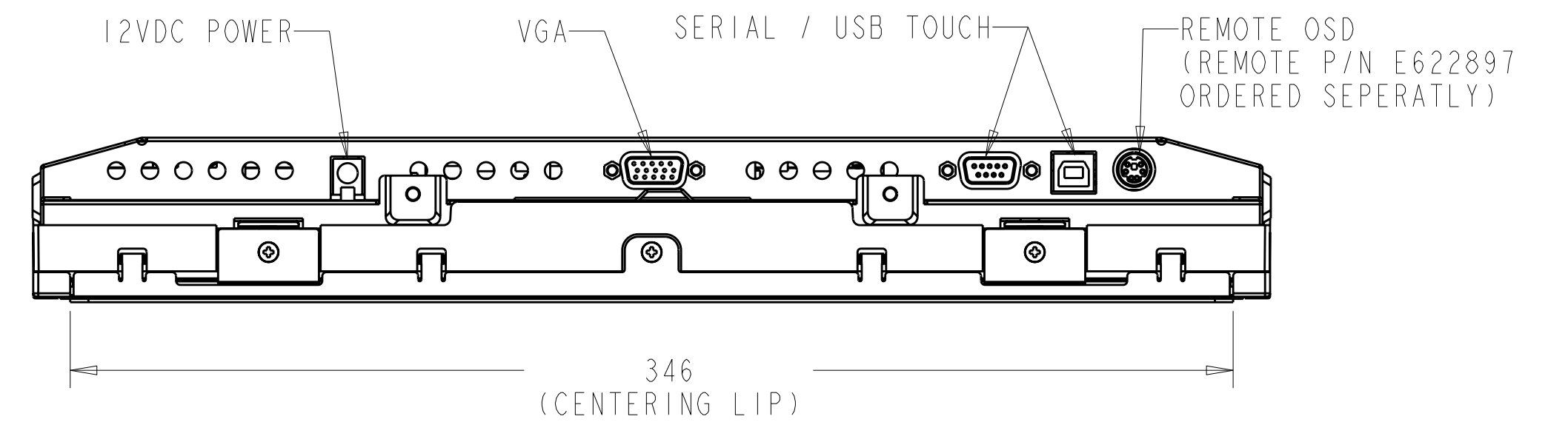
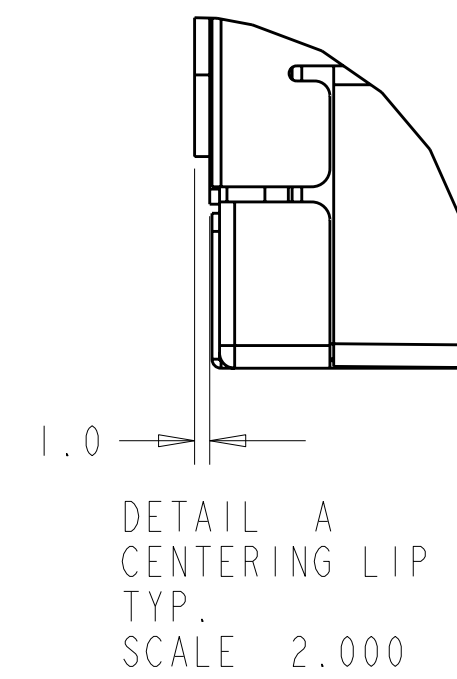
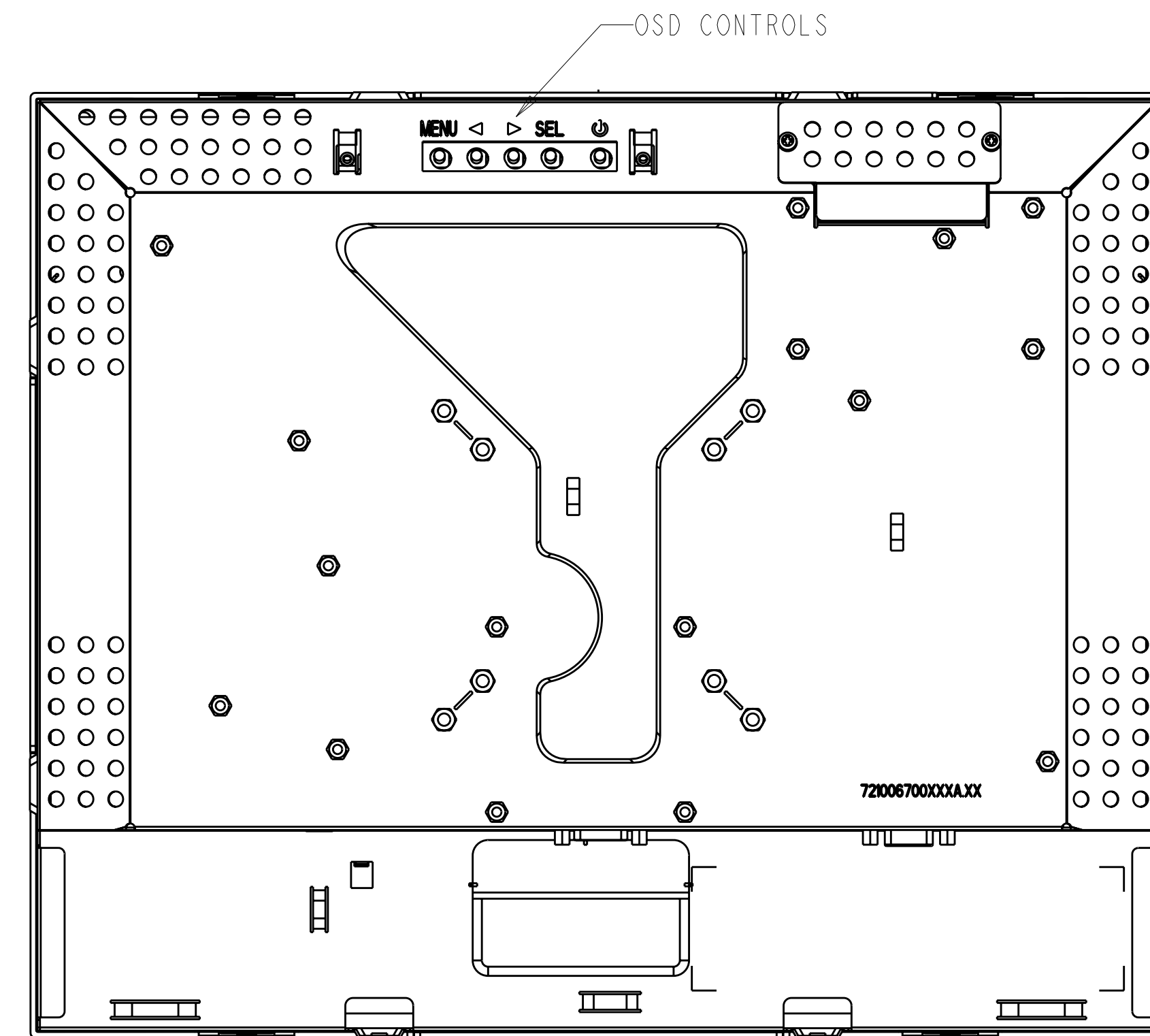
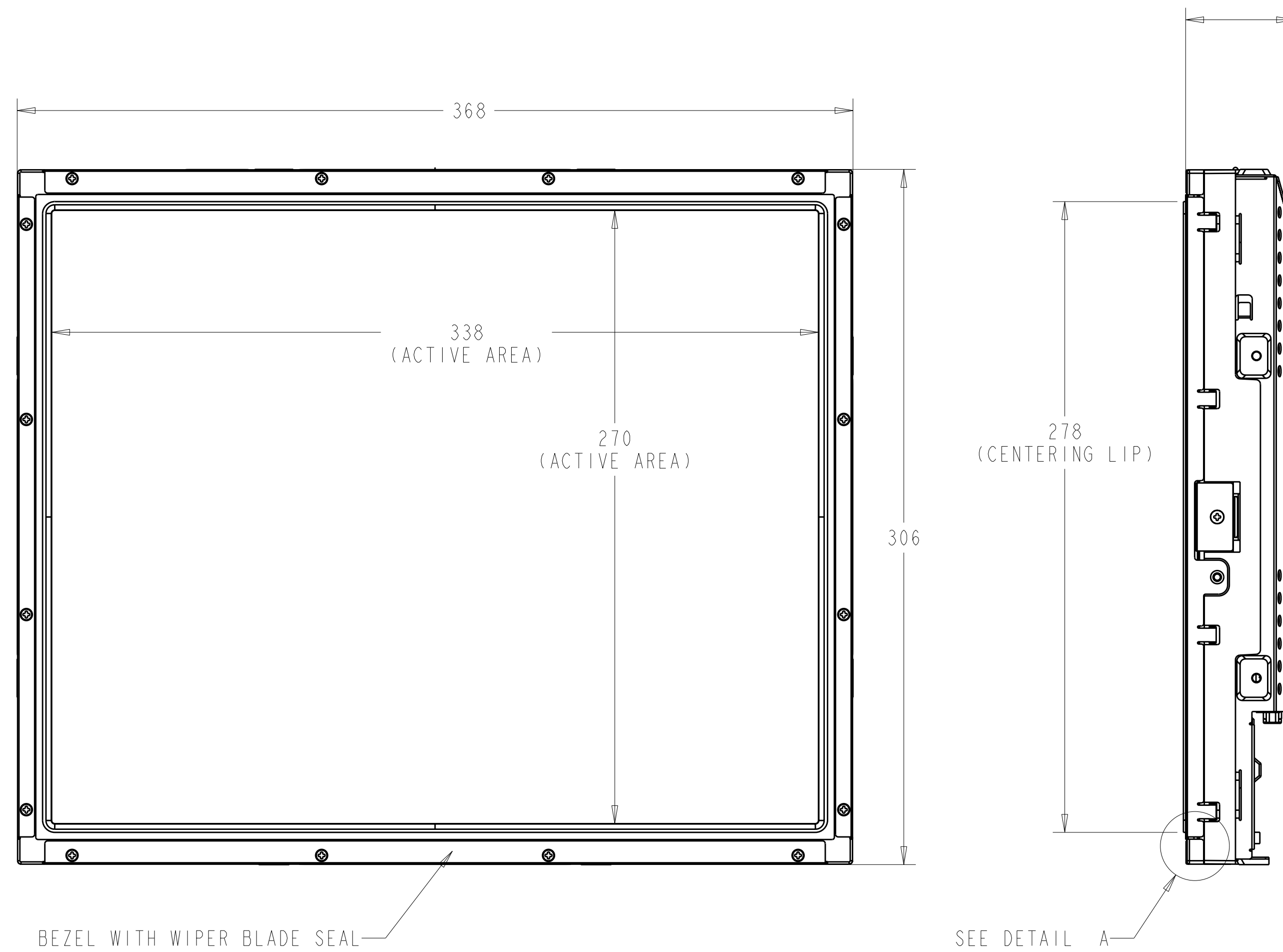
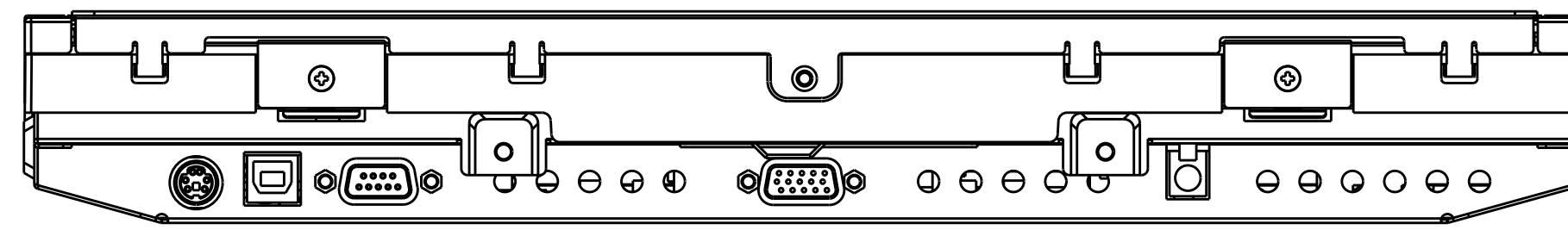
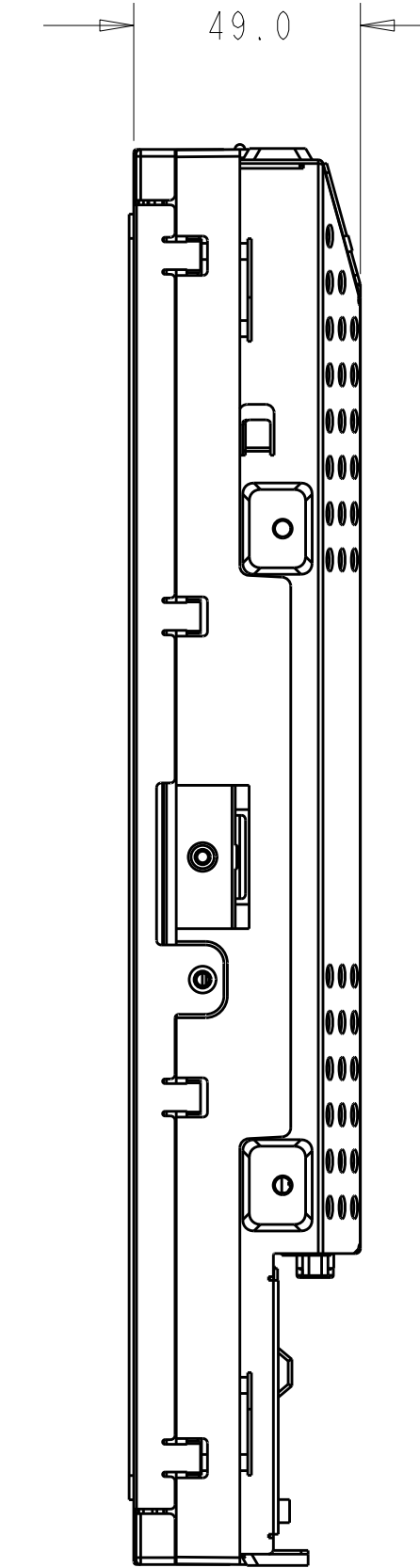
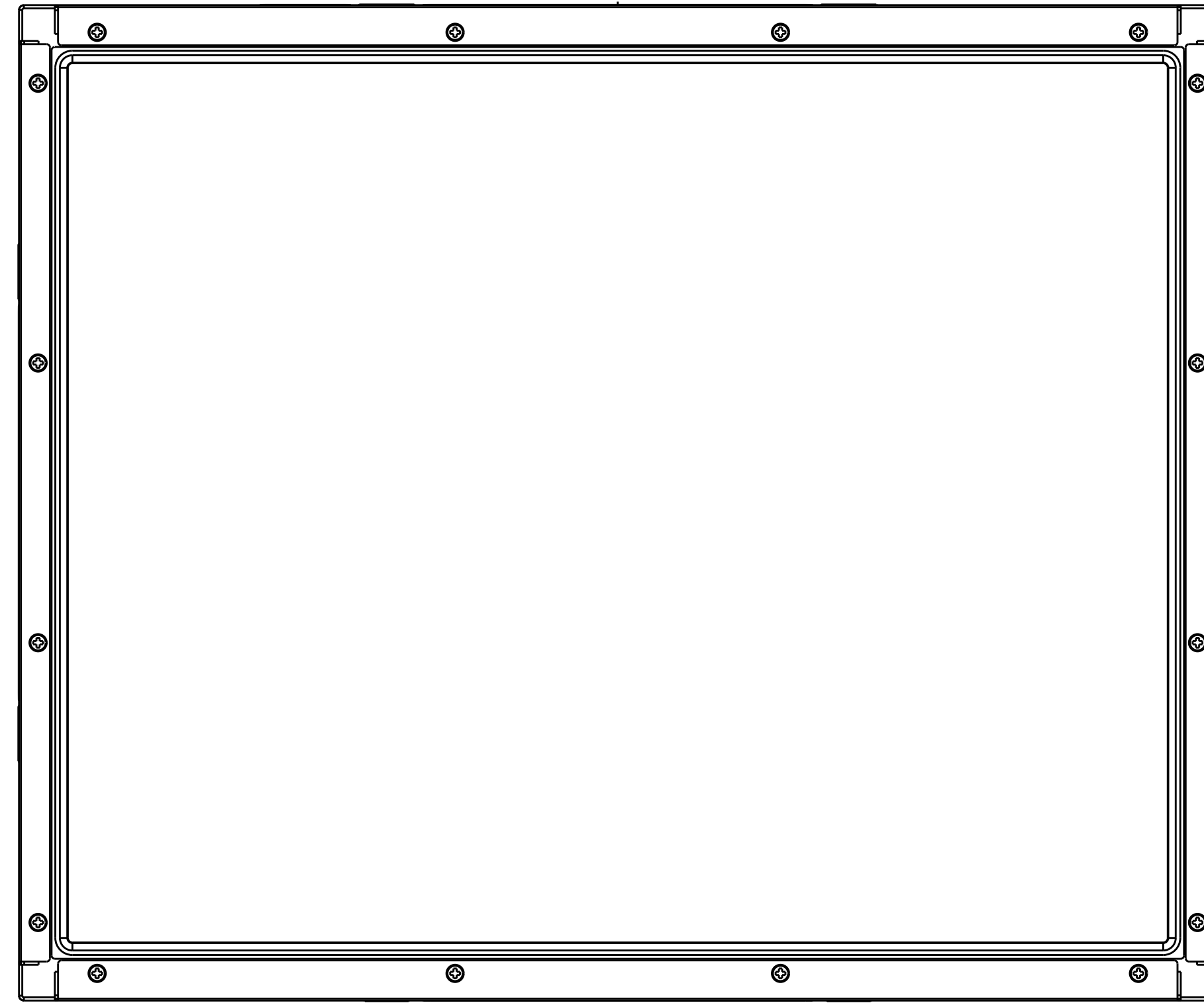


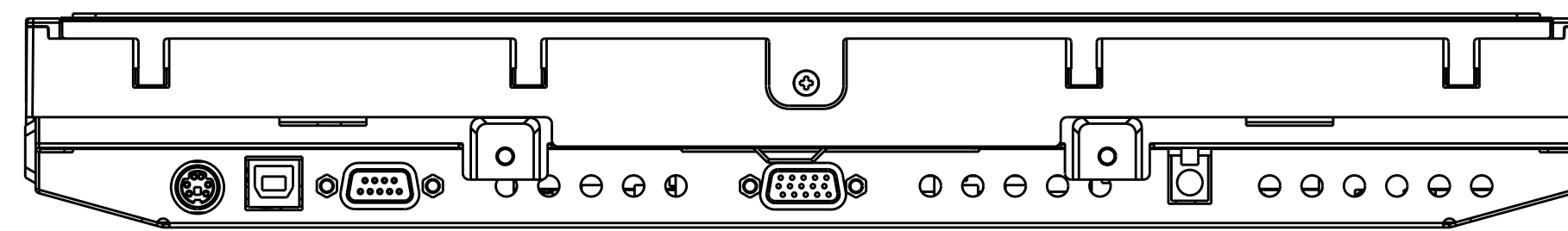
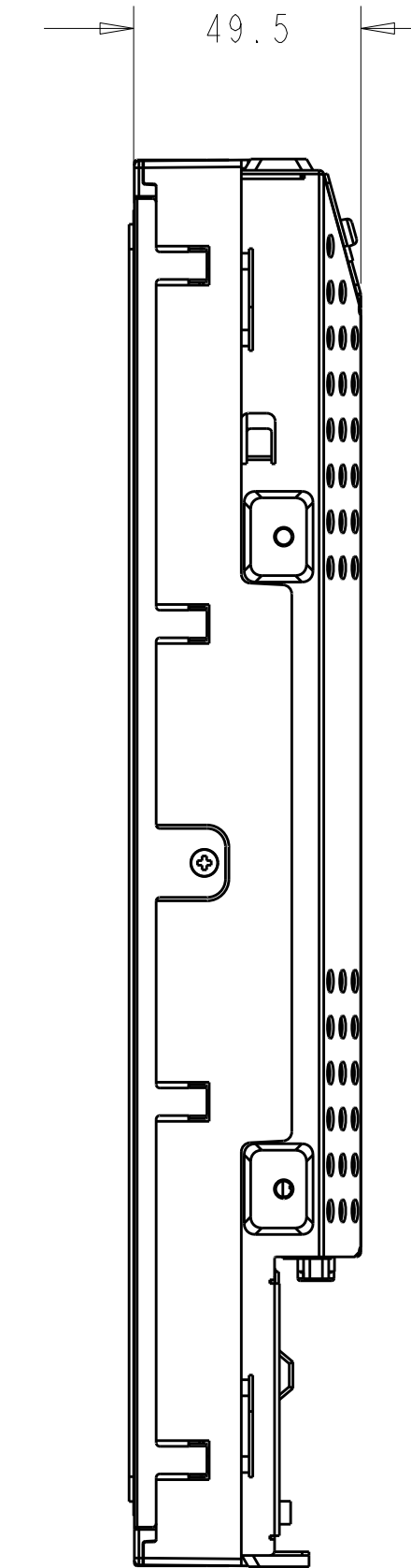
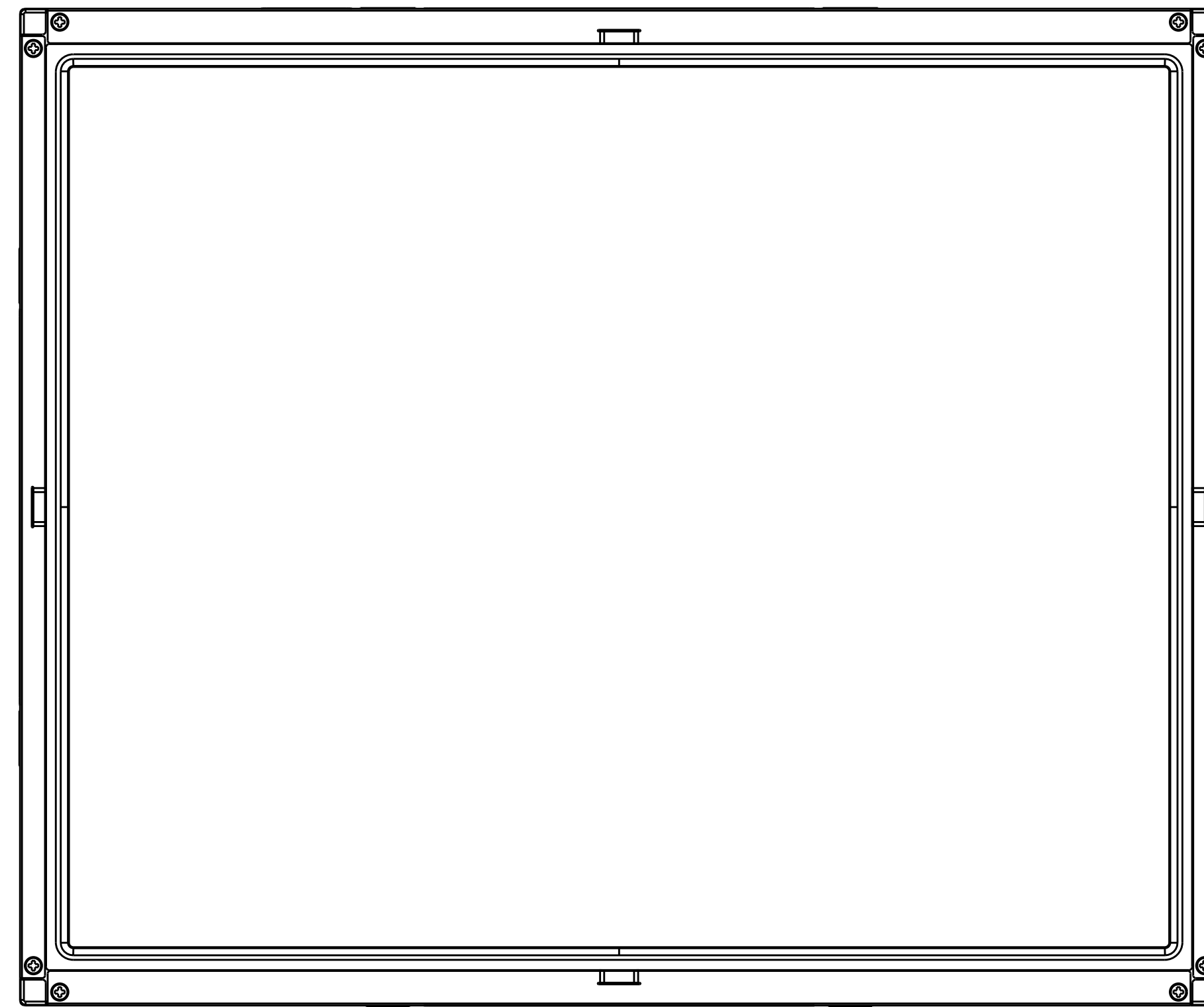
NOTES:
 1. ALL DIMENSIONS +/- 1.0MM UNLESS NOTED
 2. DIMENSIONS SHOWN ARE FOR ALL TOUCH TECHNOLOGIES UNLESS NOTED.



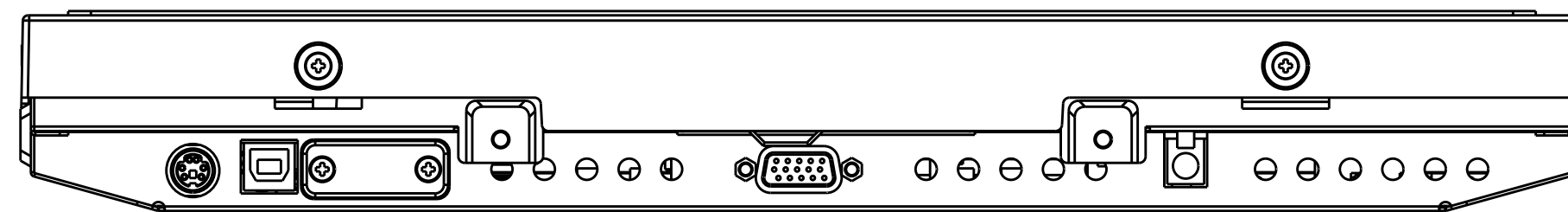
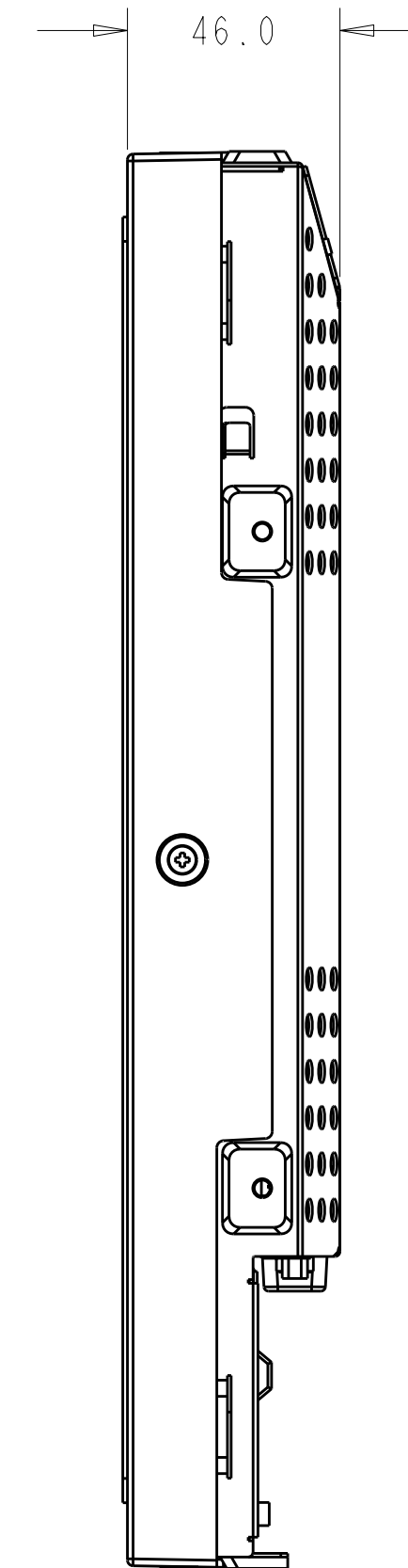
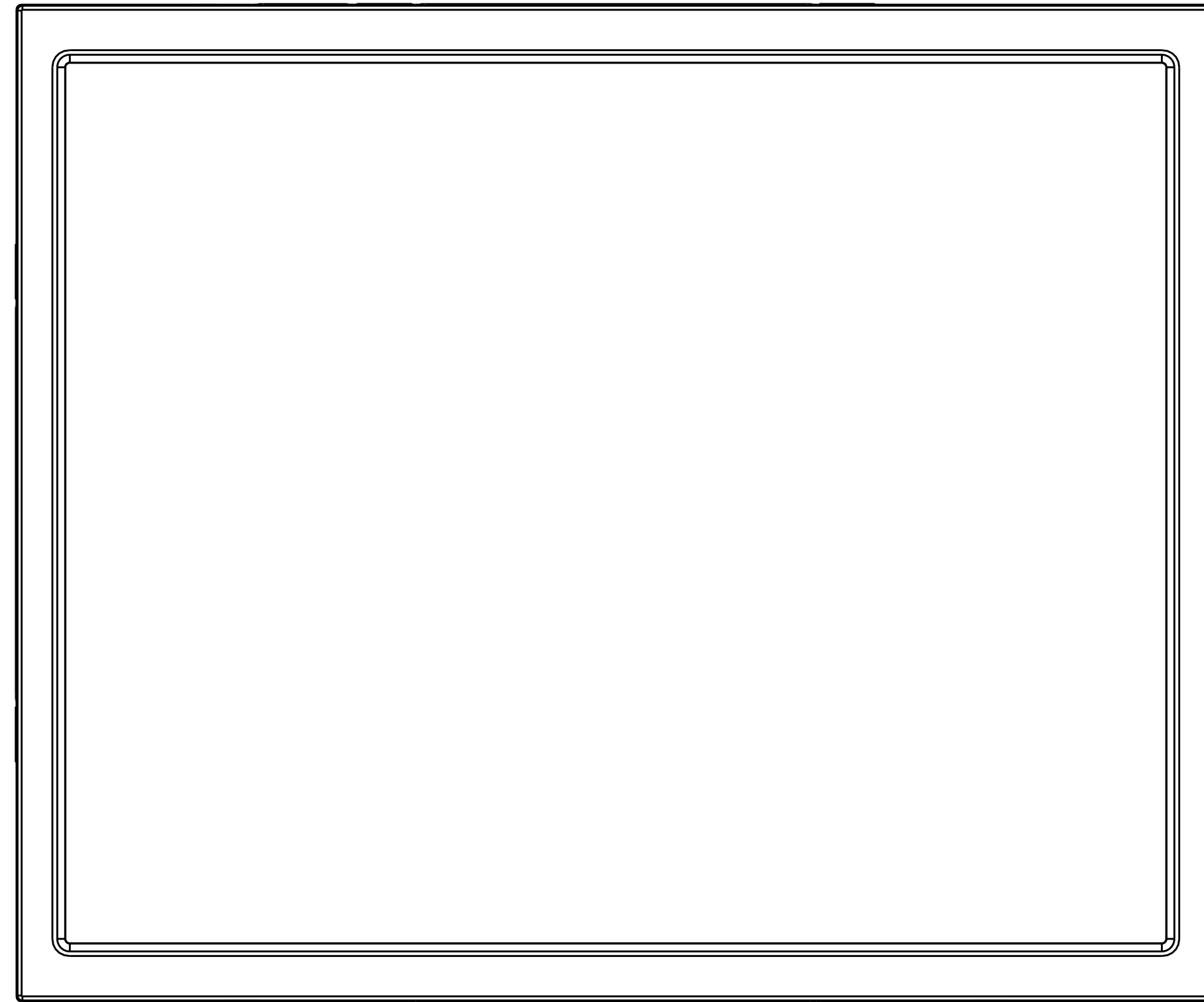
SECURE TOUCH OPTION



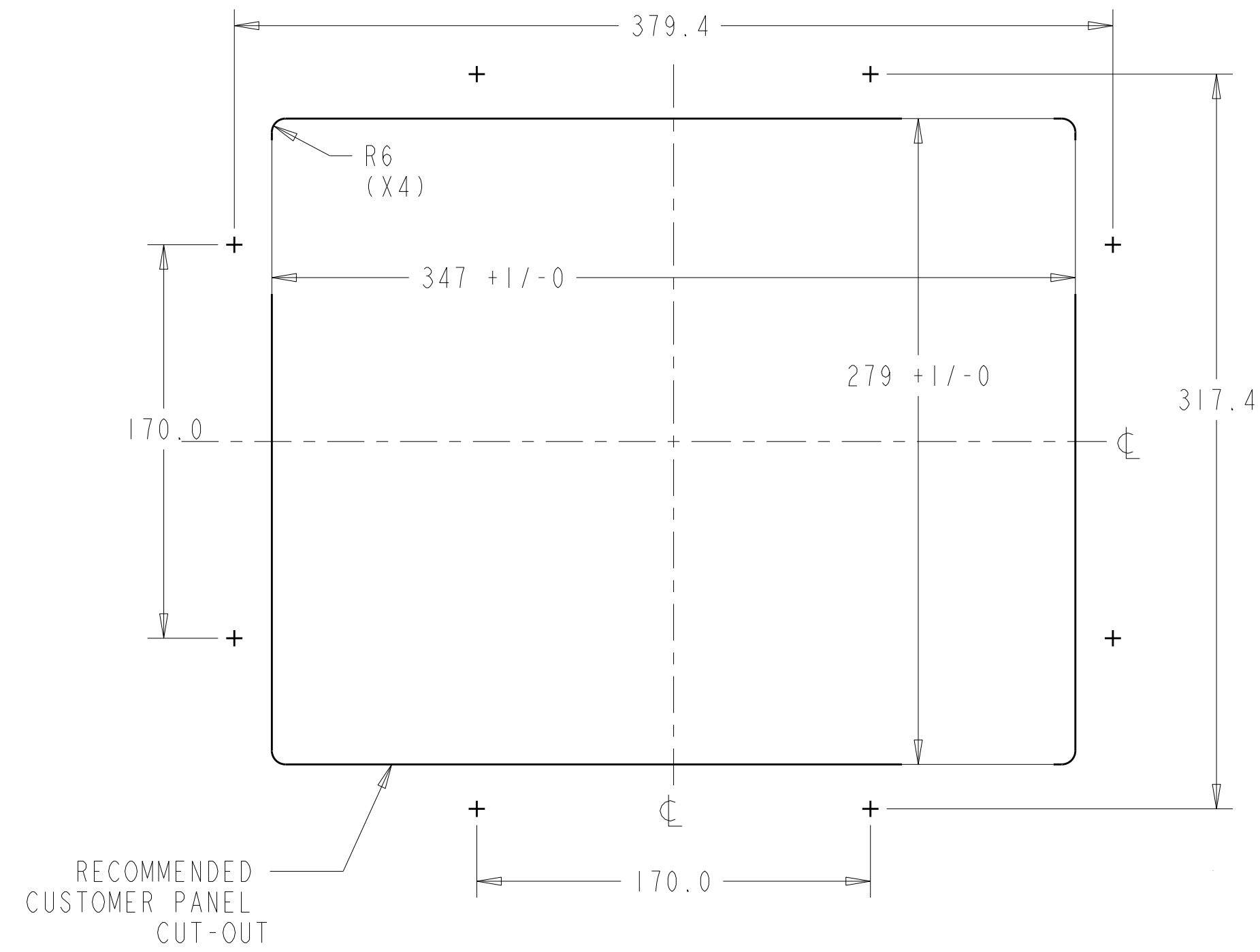
IR OPTION



APR OPTION



**RECOMMENDED CUSTOMER
PANEL CUT-OUT (SEE NOTE A)**



- NOTE A**
CUSTOMER PANEL MATERIAL:
1. WOOD: Ø4.5 HOLES THRU FOR M4 SCREWS W/NUTS, OR, NO THRU HOLES, SCREWS FOR WOOD Ø4mm,
 2. SHEET METAL: CONCEALED HEAD THREADED STUDS M4 W/NUTS.

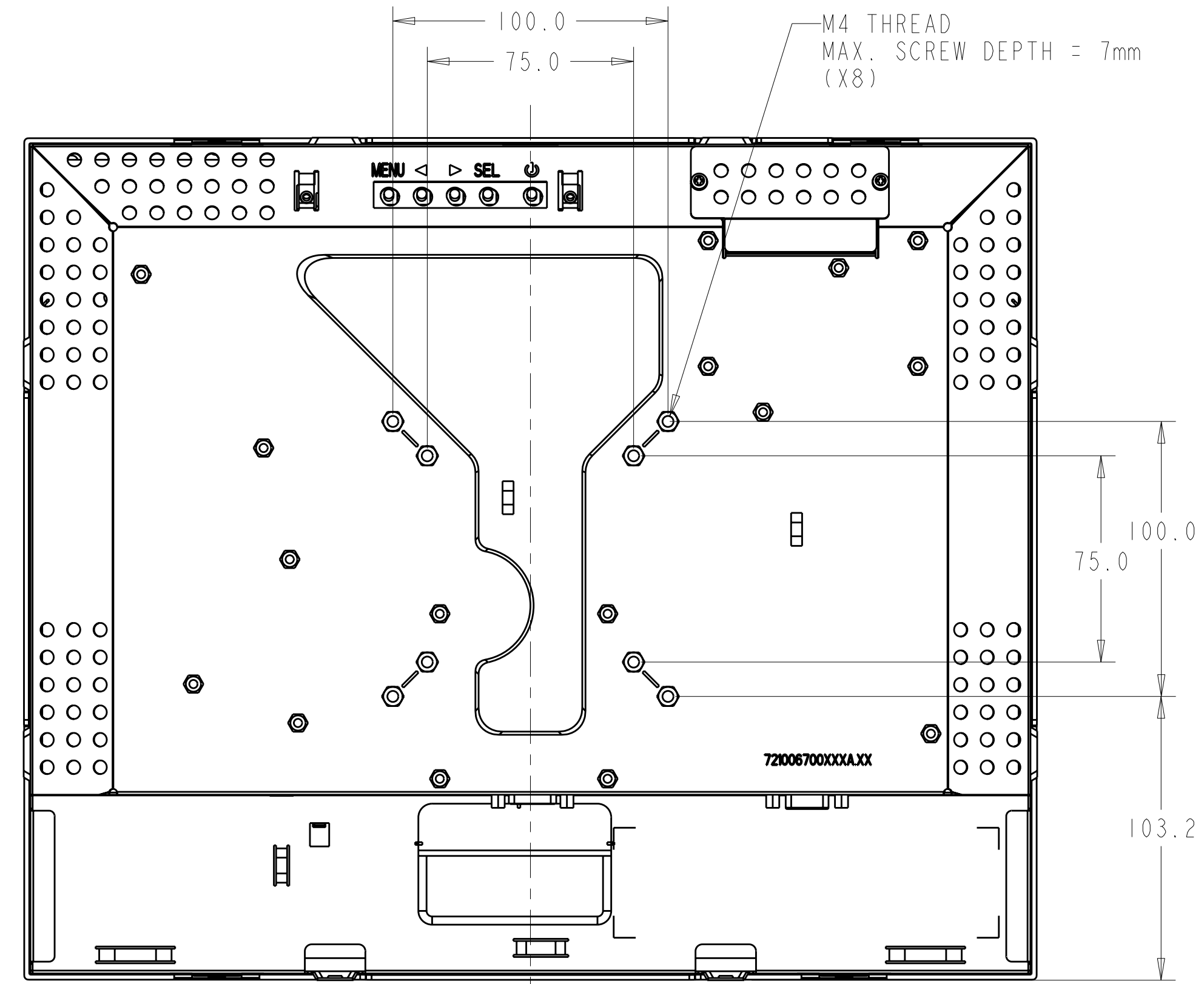
NOTE B
MONITOR INCLUDES 2 BRACKETS, ADDITIONAL BRACKETS AVAILABLE, P/N E147211

NOTE C
32.2 mm = SECURE TOUCH
32.7 mm = IR
29.2 mm = APR

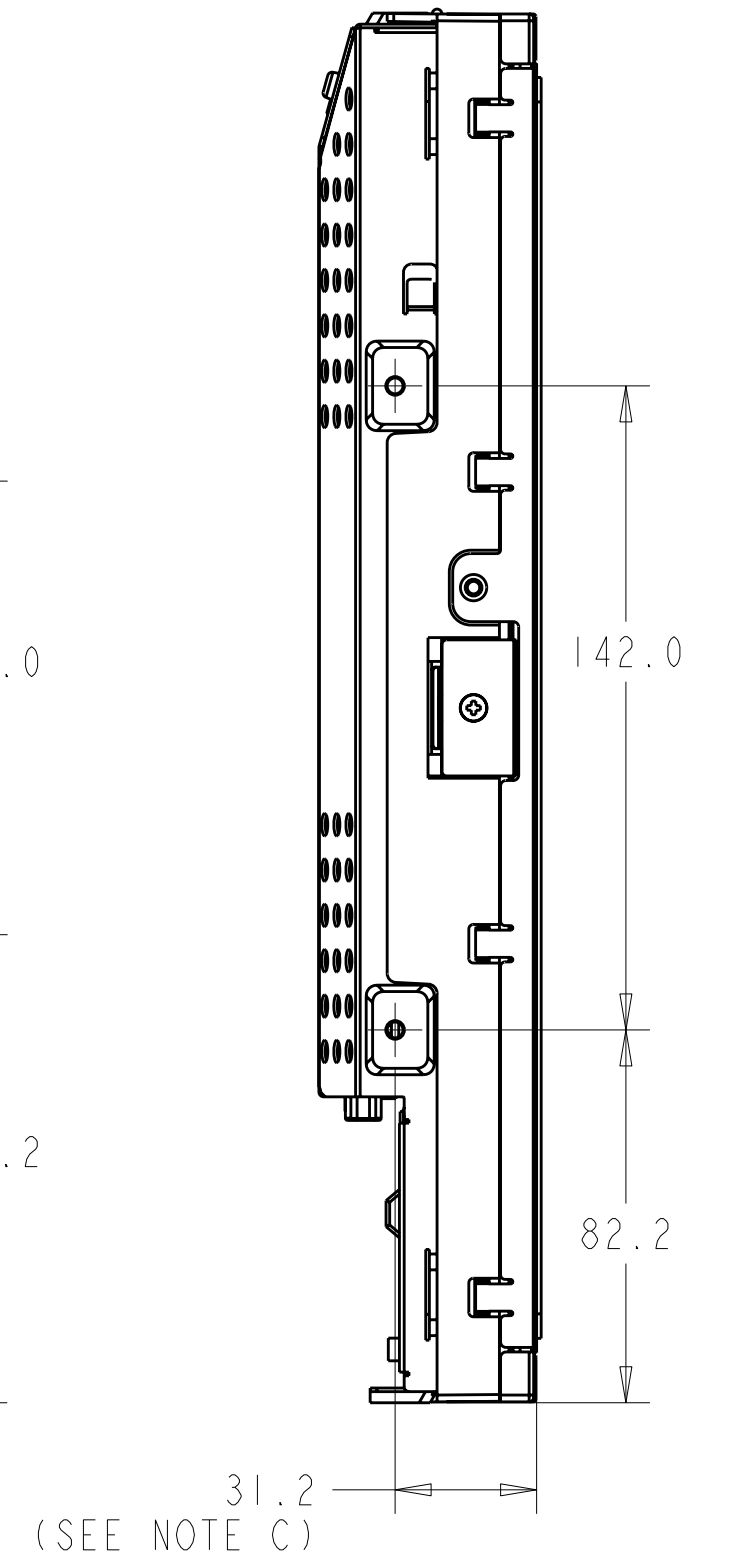
NOTE D
15.5 mm = SECURE TOUCH
16.0 mm = IR
12.5 mm = APR

NOTE E
2.0 mm = SECURE TOUCH
1.5 mm = IR
5.0 mm = APR

VESA MOUNT

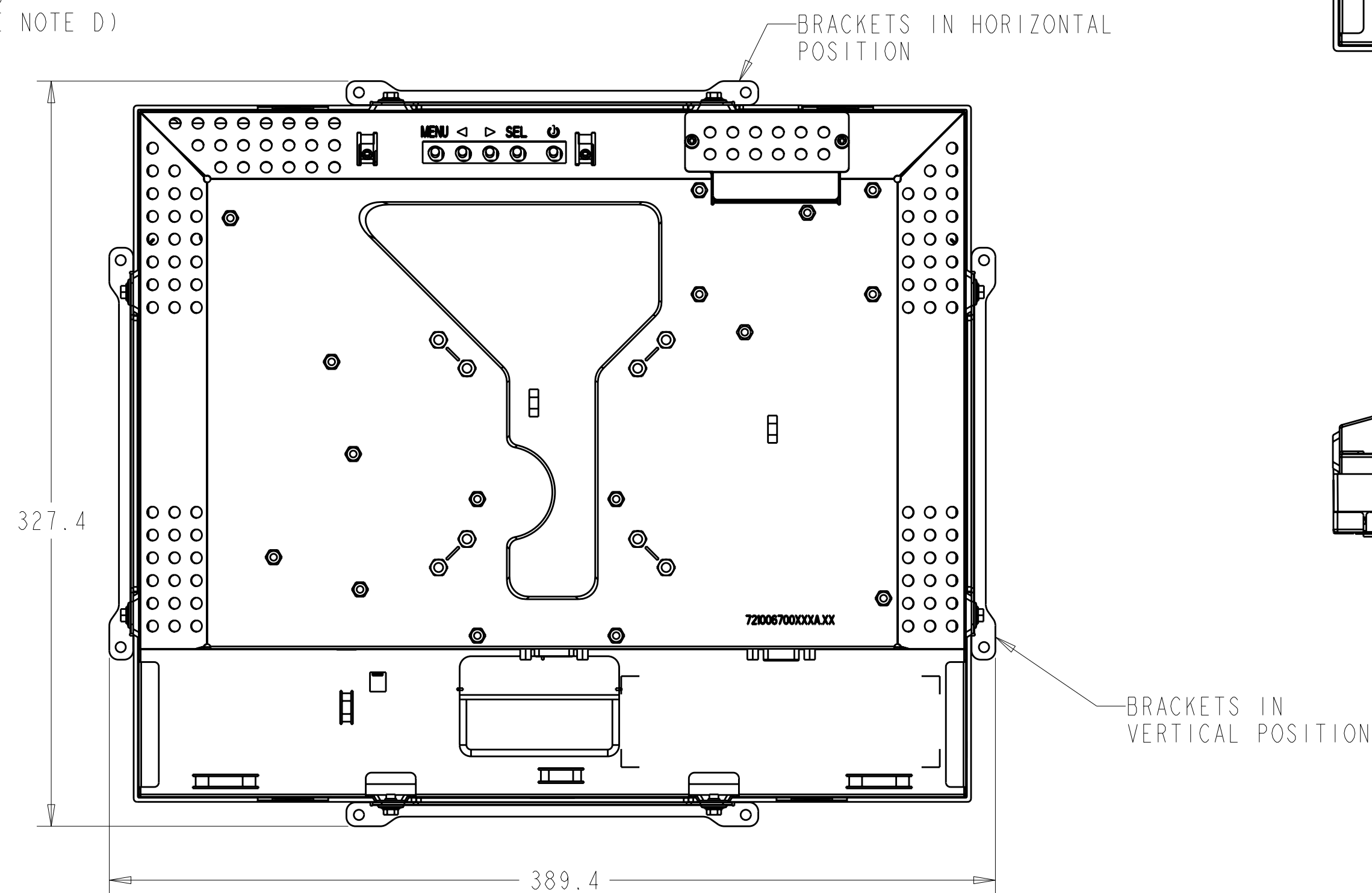
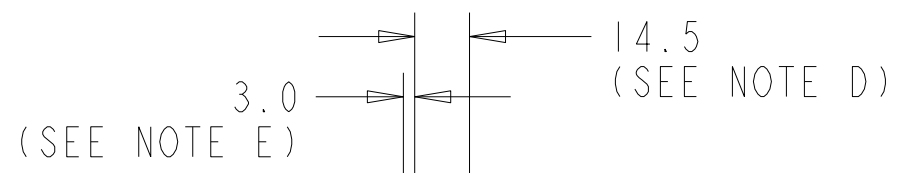


SIDE MOUNT, VERTICAL

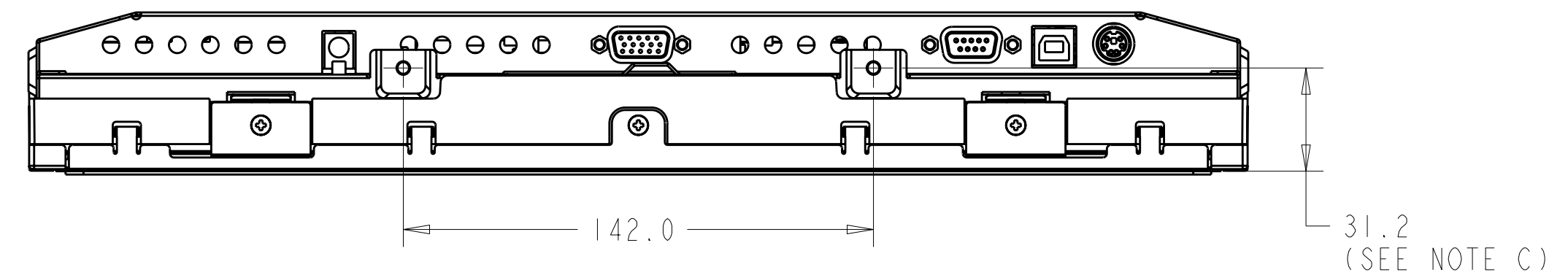


**REAR MOUNT WITH BRACKETS,
HORIZONTAL OR VERTICAL (SEE NOTE B)**

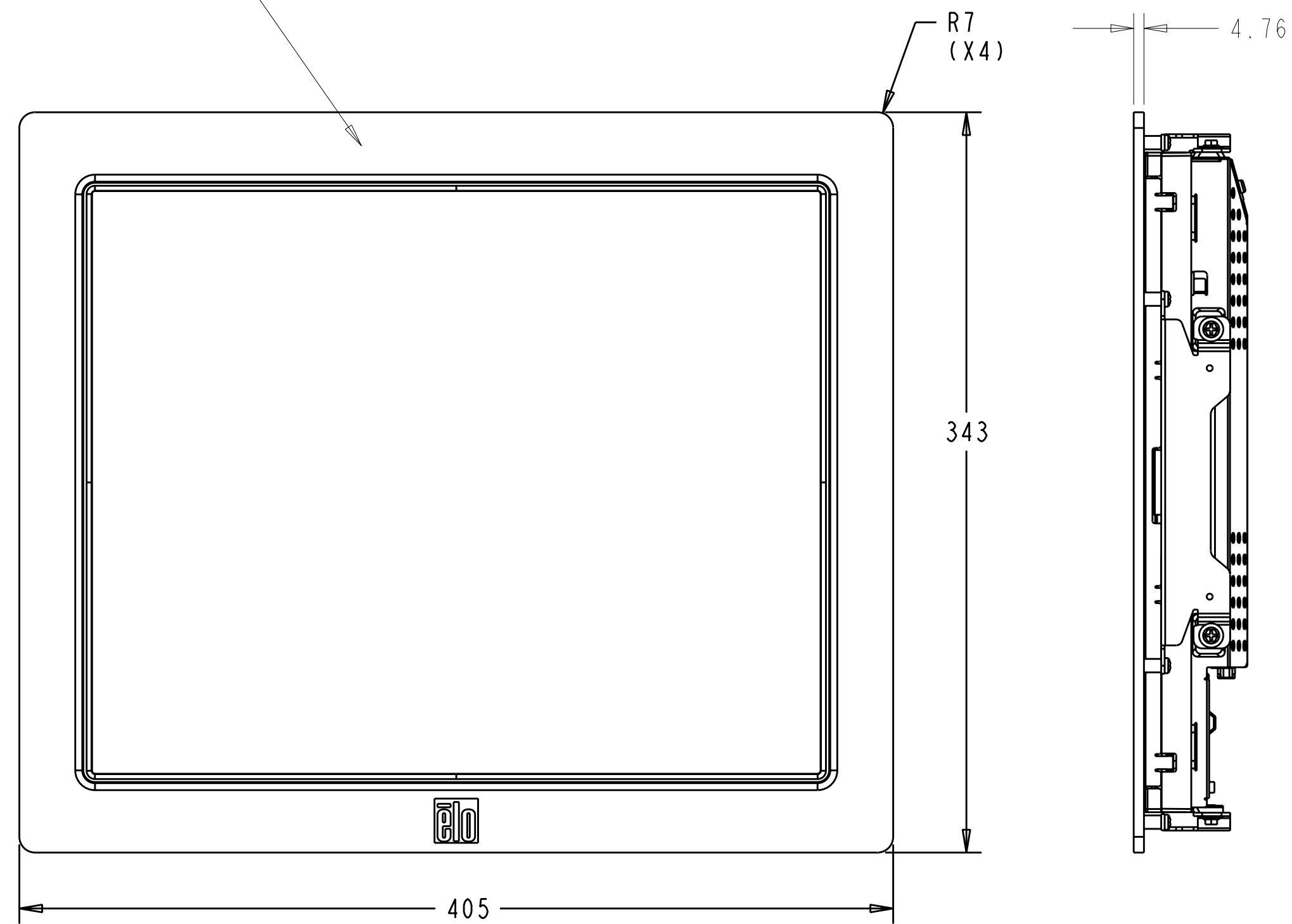
MOUNTING BRACKET ADJUSTMENT RANGE



SIDE MOUNT, HORIZONTAL



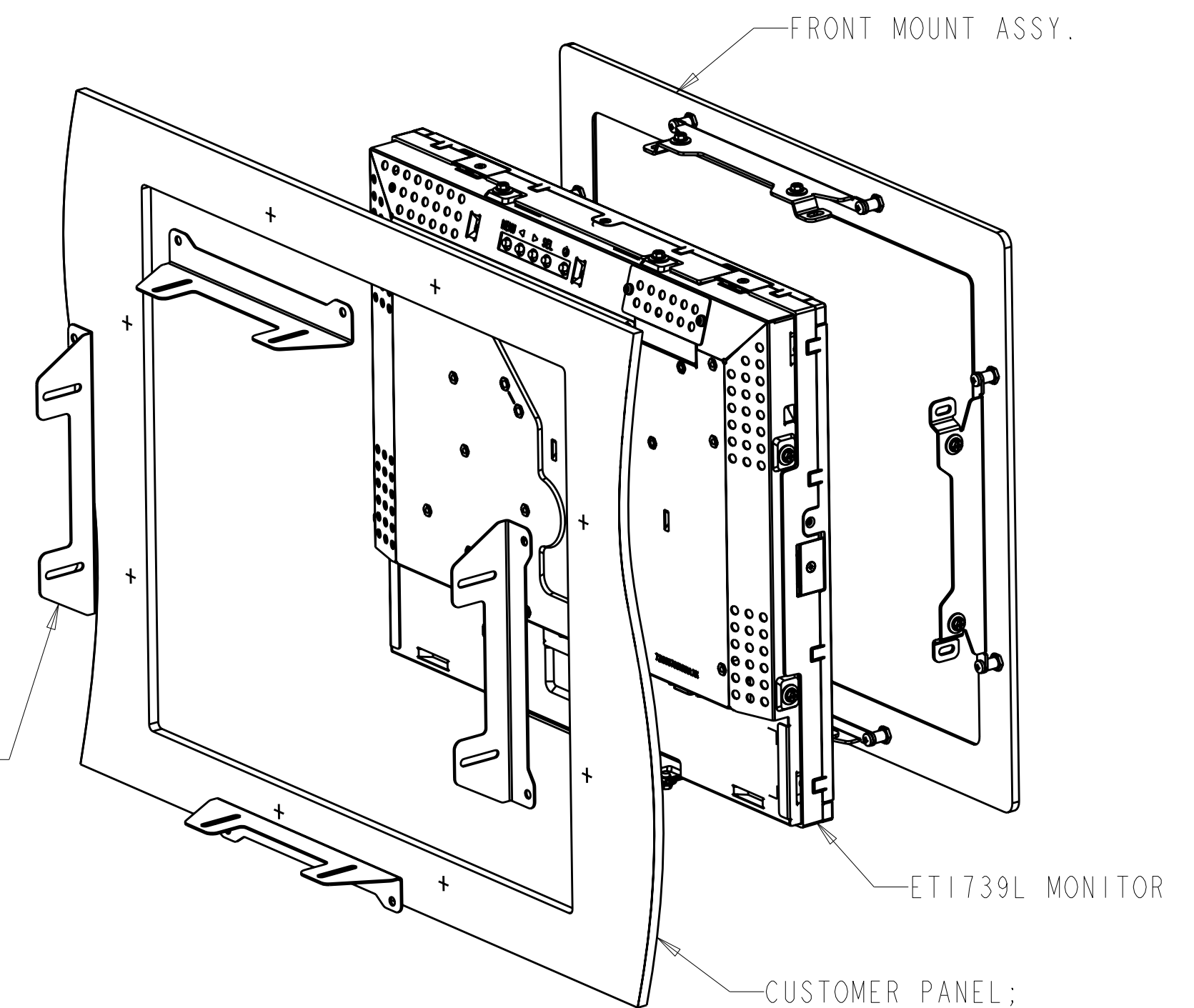
BLACK ANODIZE FINISH



FRONT MOUNT OPTION

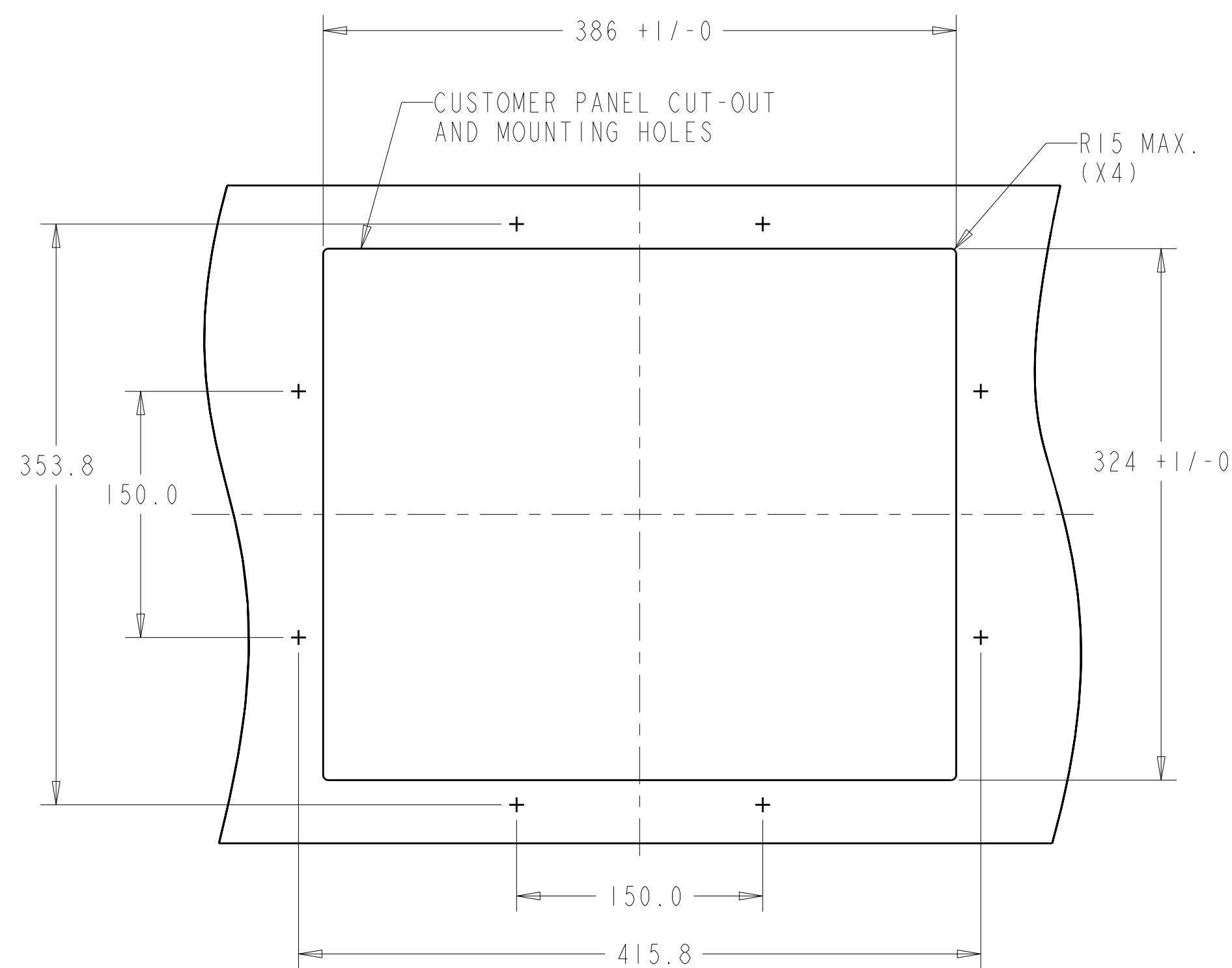
P/N E860319

(ORDERED SEPERATLY, CUSTOMER ASSEMBLED)

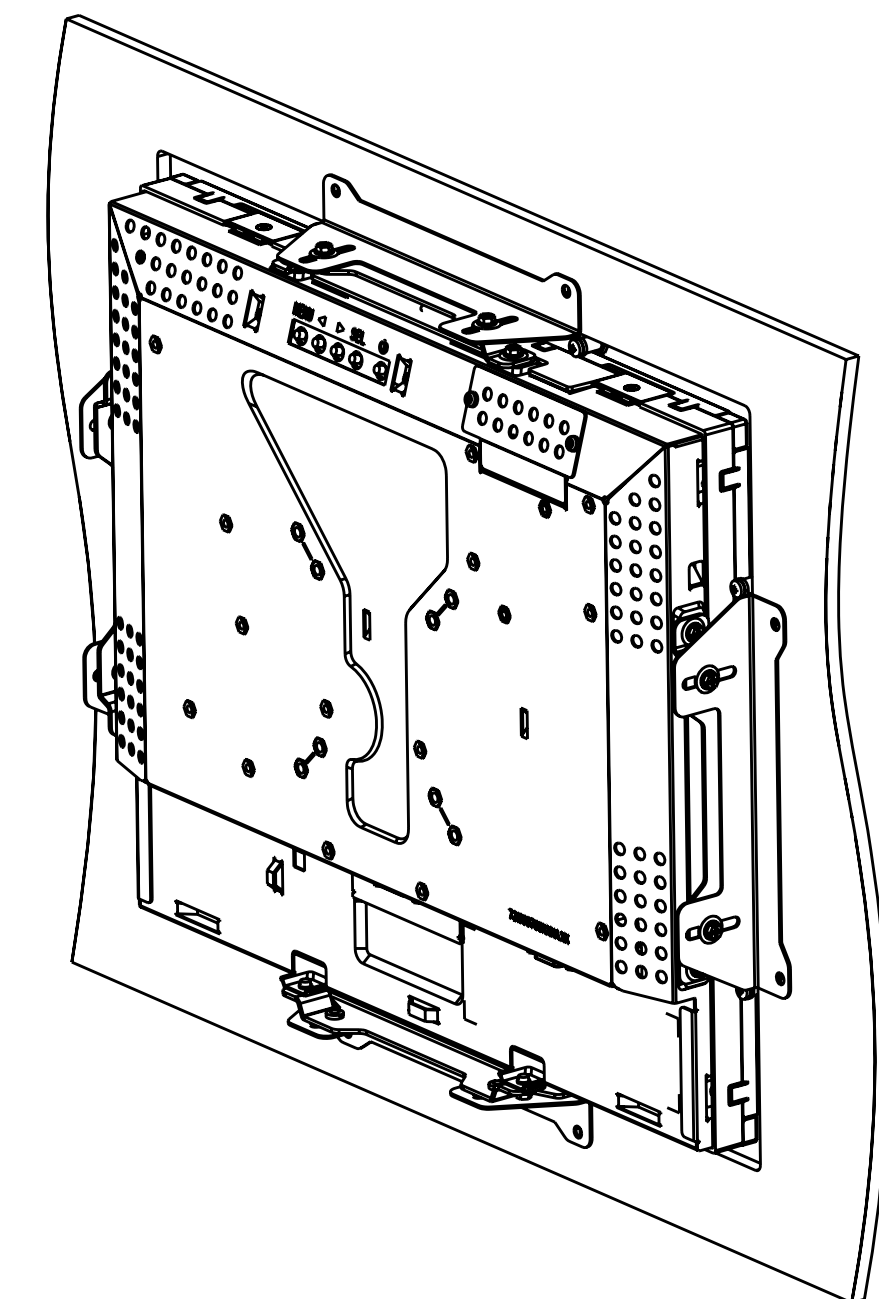
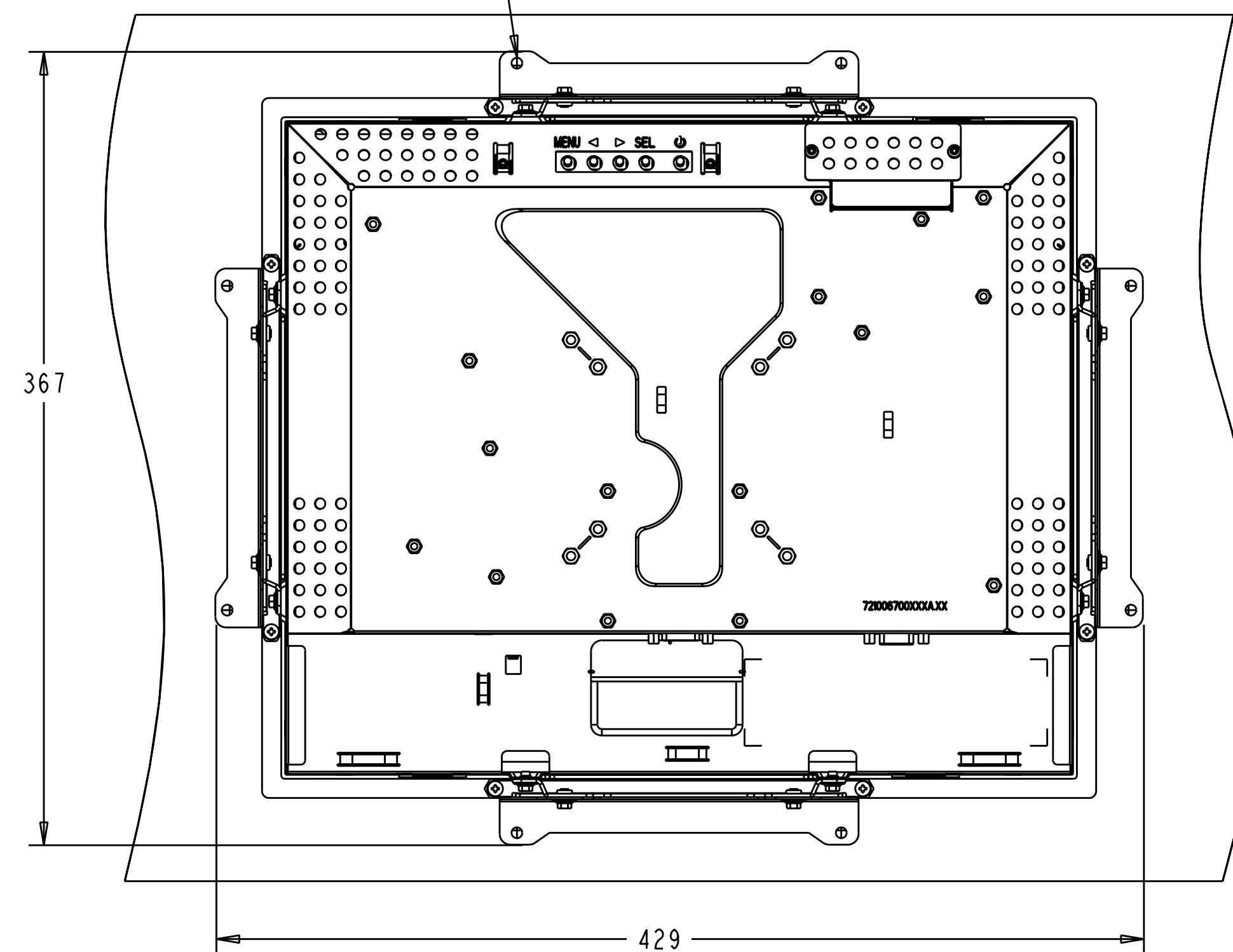


FRONT MOUNT BRACKETS (4)
(INCLUDED WITH FRONT MOUNT ASSY.)

CUSTOMER PANEL;
FRONT MOUNT BRACKETS ACCOMMODATE
MAX. 14mm MATERIAL THICKNESS.



- Ø 5.0 NOTE:
(X8)
- IF CUSTOMER PANEL MATERIAL IS WOOD:
Ø 4.5mm HOLES THRU FOR M4 SCREWS,
OR NO THRU HOLES, SCREWS FOR WOOD Ø 4mm.
 - IF CUSTOMER PANEL MATERIAL IS SHEET METAL:
CONCEALED HEAD THREADED STUDS M4 WITH NUTS.



RACK MOUNT OPTION
P/N E39253
(ORDERED SEPERATLY, CUSTOMER ASSEMBLED)

