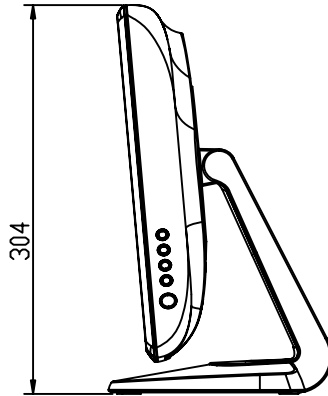
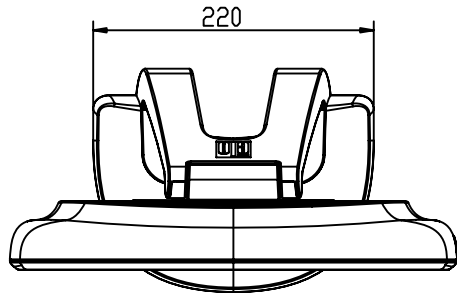
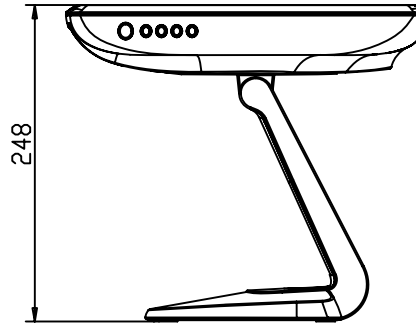


TITLE: ET1515L-XXWC-1-XX-G (WITH OPTIONAL MSR)



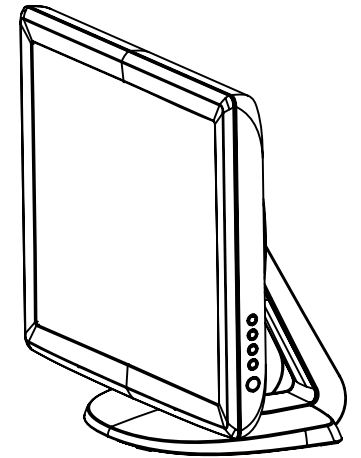
SCALE 0.450

TILT -5° FROM VERTICAL

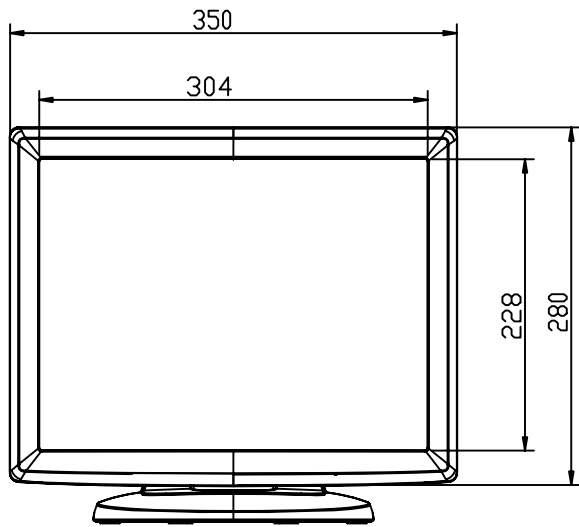


SCALE 0.450

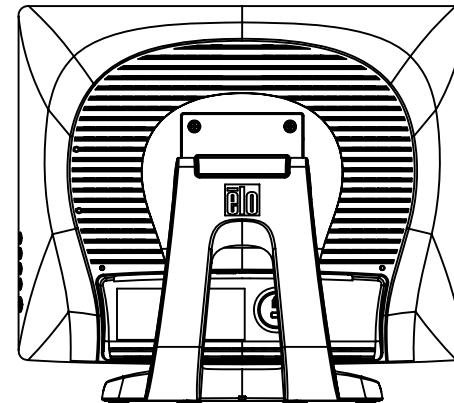
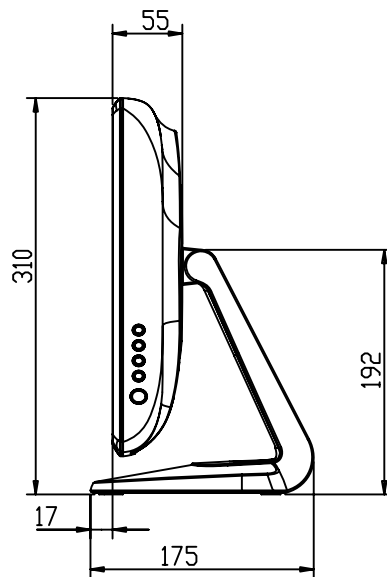
TILT 90° VERTICAL



SCALE 0.450



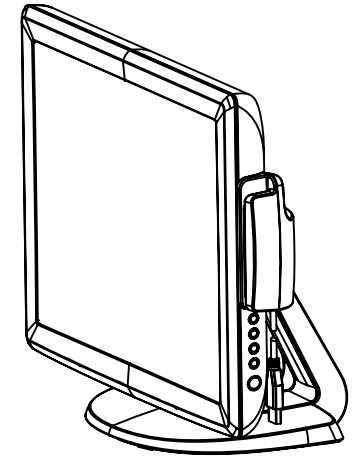
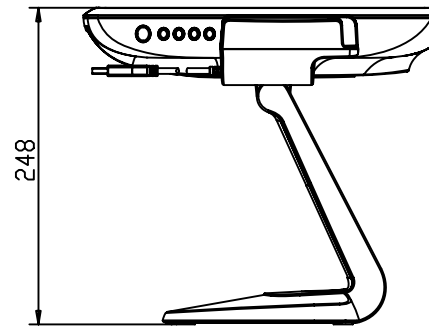
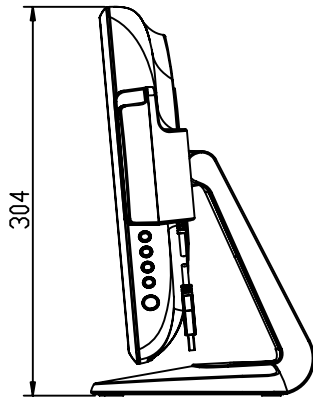
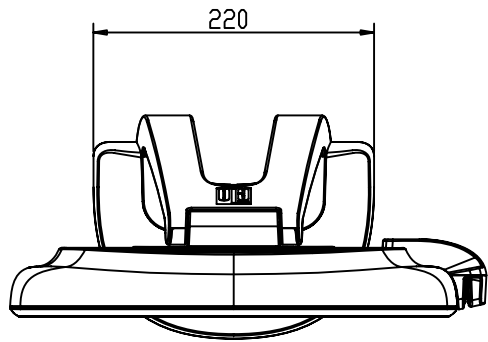
SCALE 0.450



DIMENSIONS ARE IN MILLIMETERS/INCHES

SHEET 1 OF 4

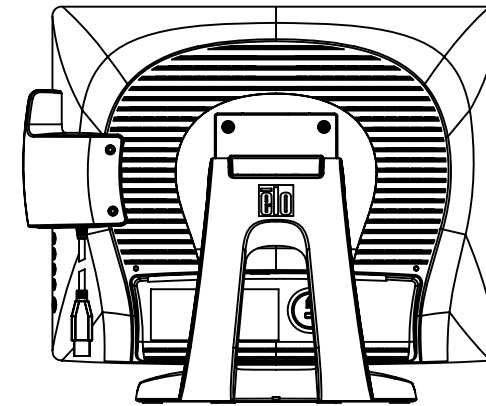
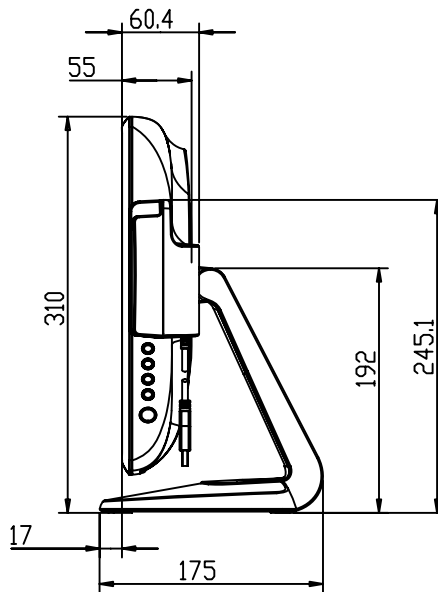
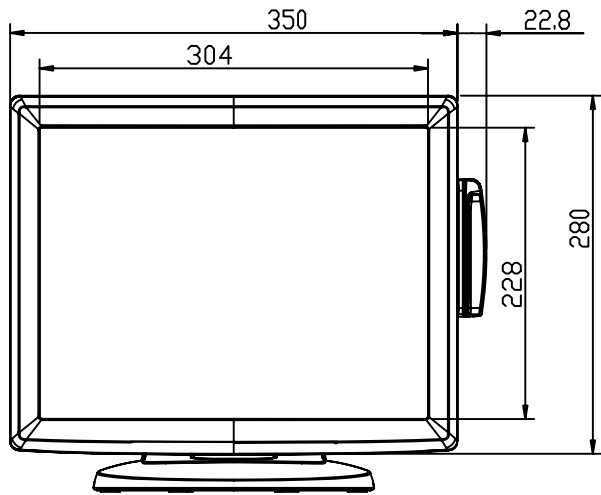
TITLE: ET1515L-XXWC-1-XX-G (WITH OPTIONAL MSR)



SCALE 0.450

TILT -5° FROM VERTICAL

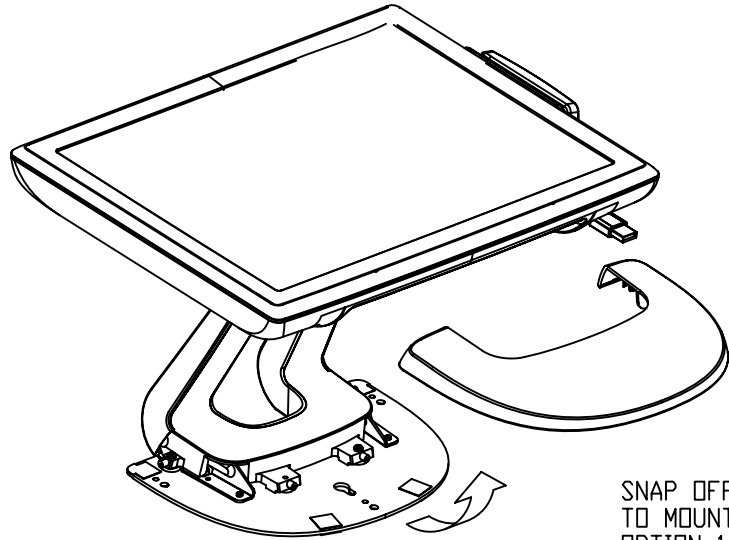
TILT 90° FROM VERTICAL



DIMENSIONS ARE IN MILLIMETERS/INCHES

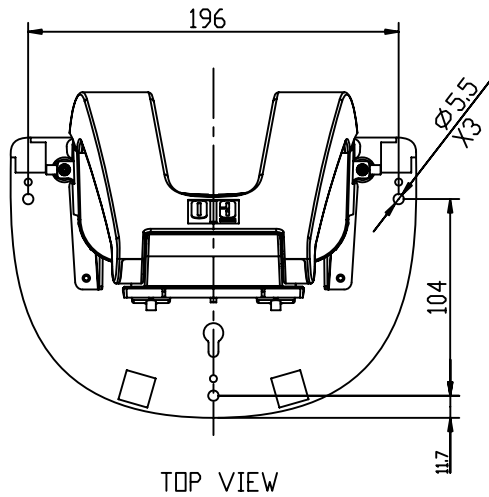
SHEET 2 OF 4



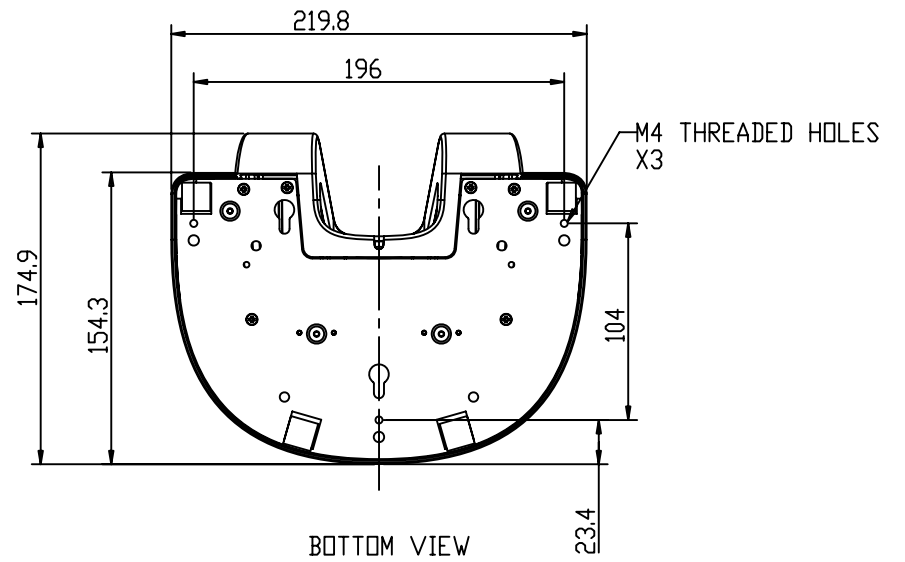


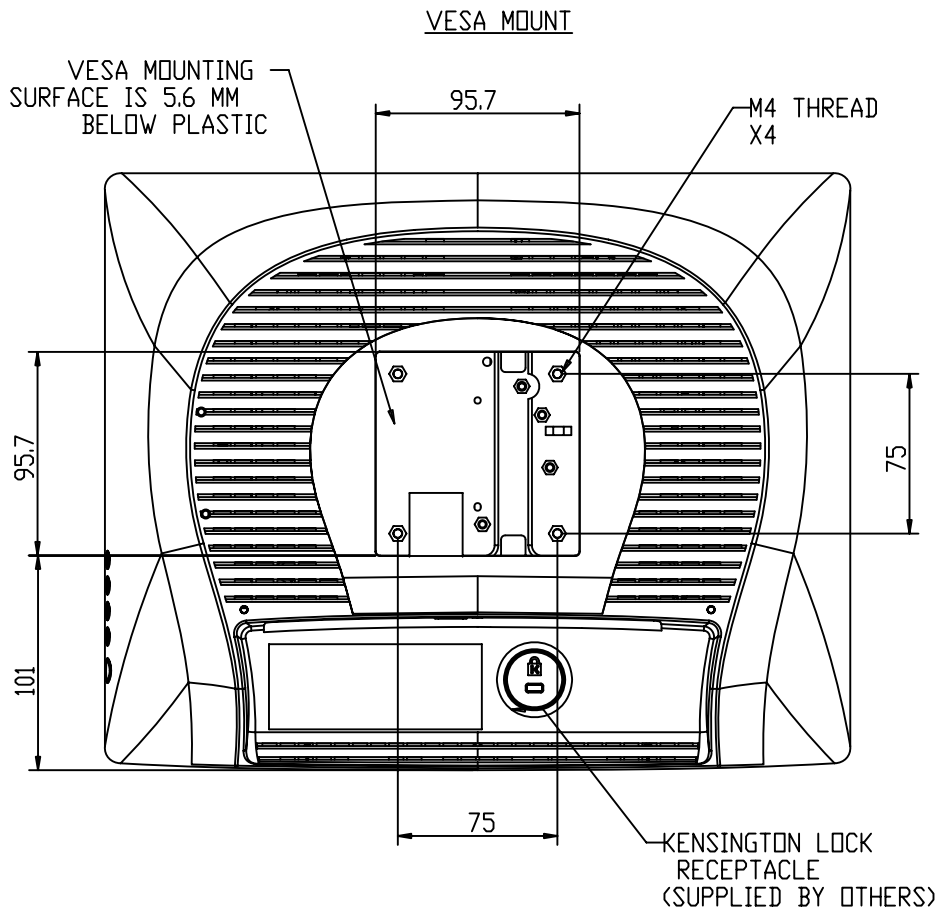
SNAP OFF STAND COVER
TO MOUNT STAND WITH
OPTION 1.

MOUNT OPTION 1



MOUNT OPTION 2





CONNECTOR PANEL

